

FIG 1
B1SDX MATED WITH P1M-RA

TABLE 1	
P1M-RA LEAD STYLE	WIPE
-01 (SMT)	1.32 [0.05]
-02 (TH)	
-03 (TH)	

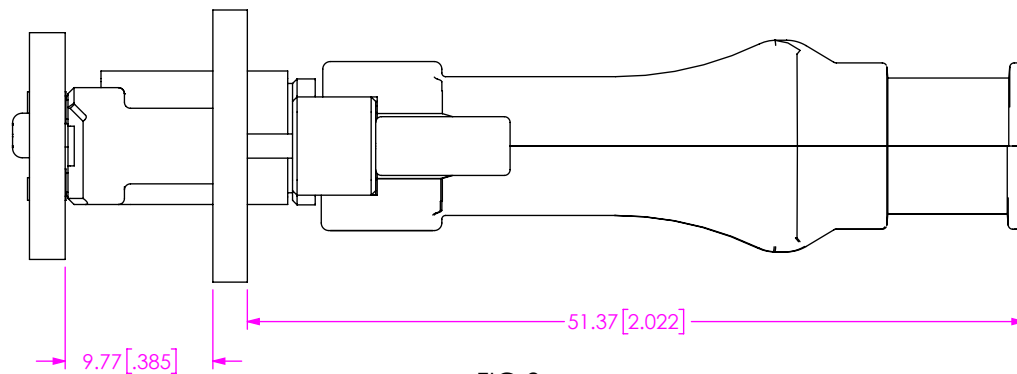
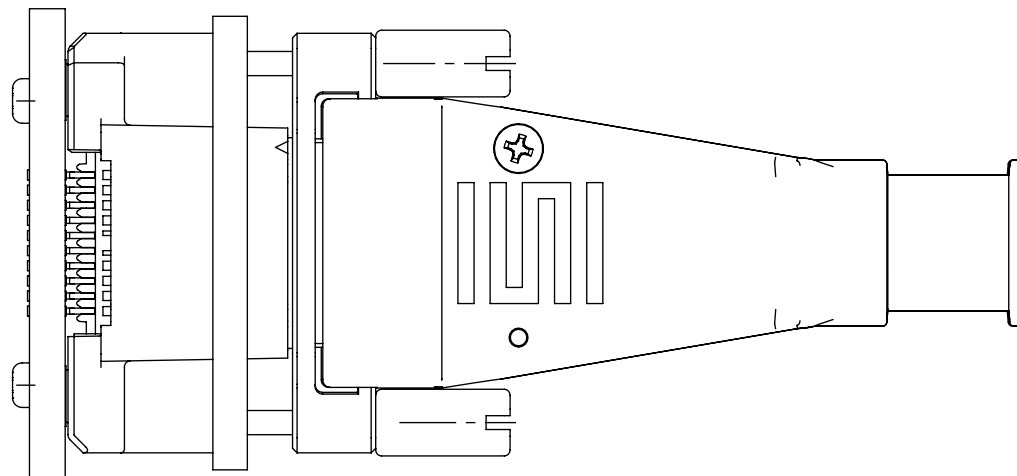


FIG 2
SHIELDED B1SDX MATED WITH P1M-DV
(SAME AS FIG 1 EXCEPT AS SHOWN)
(SOME FEATURES REMOVED FOR CLARITY)

TABLE 2	
P1M-DV LEAD STYLE	WIPE
-01 (SMT)	1.32 [0.05]
-02 (TH)	
-03 (TH)	

NOTES:

1. ALL DIMENSIONS BASED ON NOMINAL VALUES FOR SAMTEC RECOMMENDED PCB LAYOUTS.
2. DIMENSIONS IN MM [IN].
3. MIN BEND RADIUS 12.70[0.50]

PROPRIETARY NOTE
THIS DOCUMENT CONTAINS CONFIDENTIAL AND PROPRIETARY INFORMATION AND ALL DESIGN, MANUFACTURING, REPRODUCTION, USE, PATENT RIGHTS AND SALES RIGHTS ARE EXPRESSLY RESERVED BY SAMTEC, INC. THIS DOCUMENT SHALL NOT BE DISCLOSED, IN WHOLE OR IN PART, TO ANY UNAUTHORIZED PERSON OR ENTITY NOR REPRODUCED, TRANSFERRED OR INCORPORATED IN ANY OTHER PROJECT IN ANY MANNER WITHOUT THE EXPRESS WRITTEN CONSENT OF SAMTEC, INC.



520 PARK EAST BLVD, NEW ALBANY, IN 47150
PHONE: 812-944-6733 FAX: 812-948-5047
e-Mail: info@SAMTEC.com code 55322

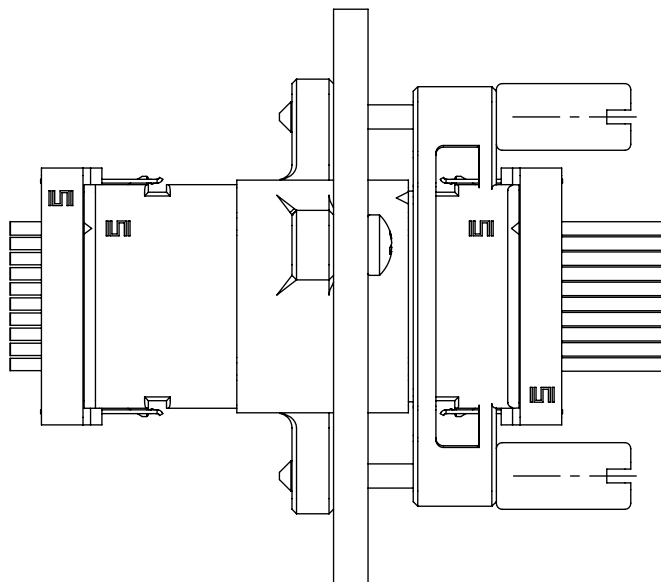


TABLE 3	
MATING PART	WIPE
P1XDX	1.27 [0.05]

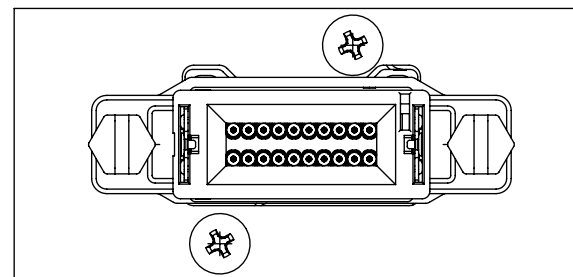
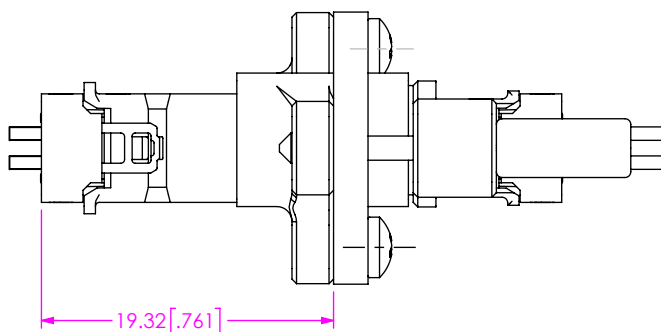


FIG 3
B1SDX MATED WITH P1XDX
(SAME AS FIG 1 EXCEPT AS SHOWN)

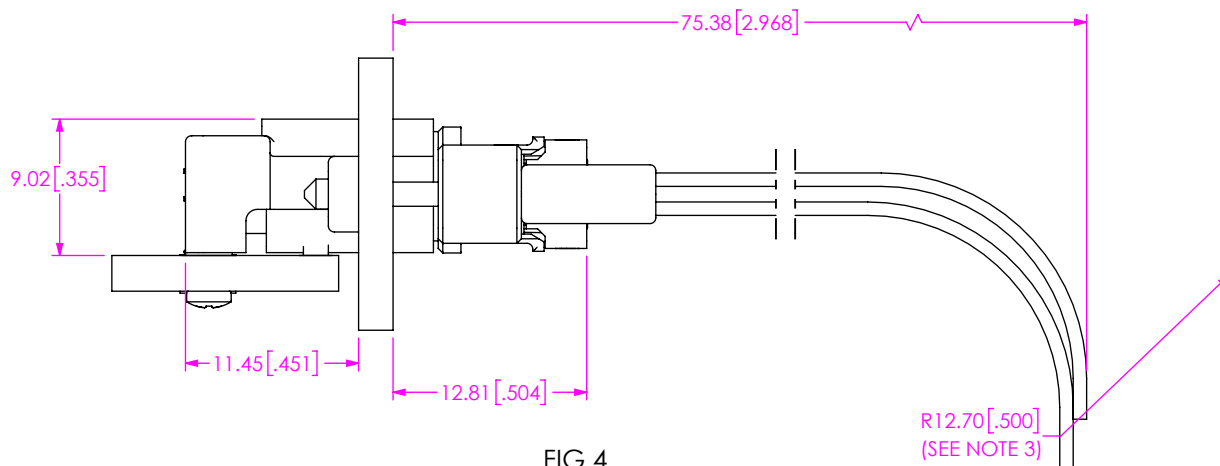


FIG 4
B1SDX MATED WITH P1M-RA
(SAME AS FIG 1 EXCEPT AS SHOWN)

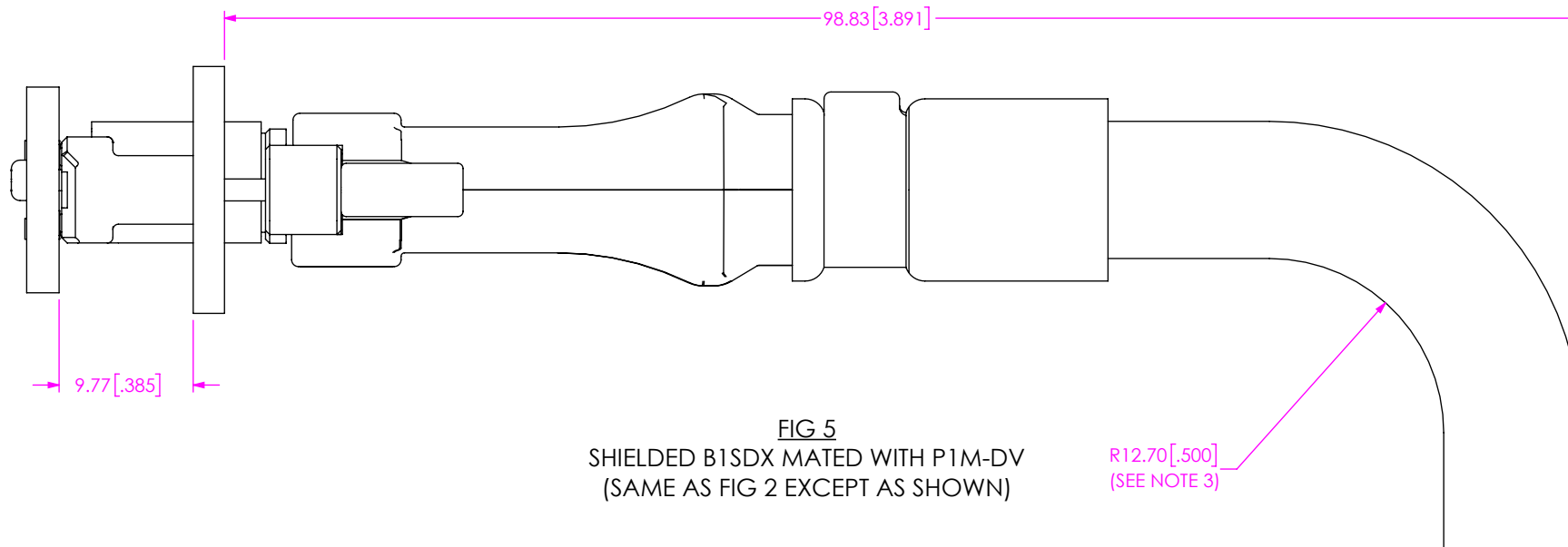


FIG 5
SHIELDED B1SDX MATED WITH P1M-DV
(SAME AS FIG 2 EXCEPT AS SHOWN)

PROPRIETARY NOTE
THIS DOCUMENT CONTAINS CONFIDENTIAL AND PROPRIETARY INFORMATION AND ALL DESIGN, MANUFACTURING, REPRODUCTION, USE, PATENT RIGHTS AND SALES RIGHTS ARE EXPRESSLY RESERVED BY SAMTEC, INC. THIS DOCUMENT SHALL NOT BE DISCLOSED, IN WHOLE OR PART, TO ANY UNAUTHORIZED PERSON OR ENTITY NOR REPRODUCED, TRANSFERRED OR INCORPORATED IN ANY OTHER PROJECT IN ANY MANNER WITHOUT THE EXPRESS WRITTEN CONSENT OF SAMTEC, INC.



520 PARK EAST BLVD, NEW ALBANY, IN 47150
PHONE: 812-944-6733 FAX: 812-948-5047
e-Mail info@SAMTEC.com code 55322